

Product data sheet

Characteristics

8910DPA23V02

Contactor, Definite Purpose, 25A, 3 pole, 20 HP at 575 VAC, 3 phase, 110/120 VAC 50/60 Hz coil, open



Product availability: Stock - Normally stocked in distribution facility

Price*: 86.25 USD



Commercial status

This Product is Obsolete : FEB 17, 2021

⚠ This Product is Obsolete

Main

Product or component type	Definite Purpose Contactor
Line Rated Current	25 A
Poles description	3P
Pole contact composition	3 NO
Range of product	DPA

Complementary

Maximum Horse Power Rating	2 Hp 115 V AC, 1 phase 5 Hp 230 V AC, 1 phase 10 Hp 230 V AC, 3 phase 15 Hp 460 V AC, 3 phase 20 Hp 575 V AC, 3 phase
Locked rotor rated current	125 A 460 V AC 100 A 575 V AC 150 A 277 V AC
[Ue] rated operational voltage	600 V AC
[Uc] control circuit voltage	120 V AC 60 Hz 110 V AC 50 Hz
Phase	3 phase
Electrical connection	Quick connect terminals Binder head

Environment

Product certifications	UL Recognized CSA
------------------------	----------------------

Ordering and shipping details

Category	21342 - 8910 DPA 2_(25 AMP)
Discount Schedule	CP1B
GTIN	00785901080107
Nbr. of units in pkg.	1
Package weight(Lbs)	15.84 Oz (449.056 g)
Returnability	No
Country of origin	CN

Packing Units

Unit Type of Package 1	PCE
Package 1 Height	3.10 In (7.874 cm)
Package 1 width	2.50 In (6.35 cm)
Package 1 Length	3.80 In (9.652 cm)

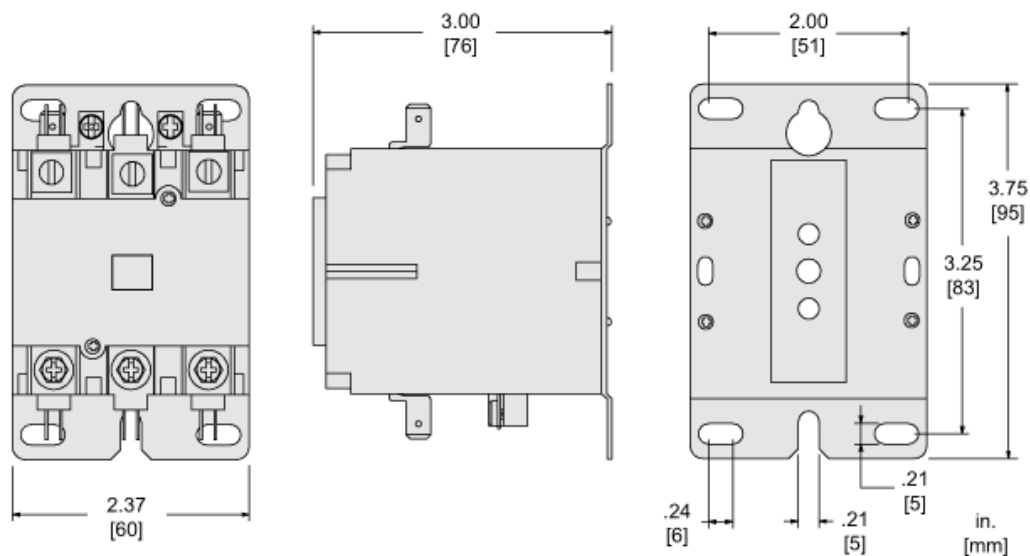
Offer Sustainability

REACH Regulation	REACH Declaration
EU RoHS Directive	Compliant EU RoHS Declaration
Mercury free	Yes
RoHS exemption information	Yes
China RoHS Regulation	China RoHS Declaration

Contractual warranty

Warranty	18 months
----------	-----------

Approximate Dimensions



Product Life Status : **End of commercialisation**

8910DPA23V02 may be replaced by any of the following products:



8910DPA33V02

Contacteur, Definite Purpose, 30A, 3 pole, 20 HP at 575 VAC, 3 phase, 110/120 VAC 50/60 Hz coil, open
Qty 1

Substitution date: |